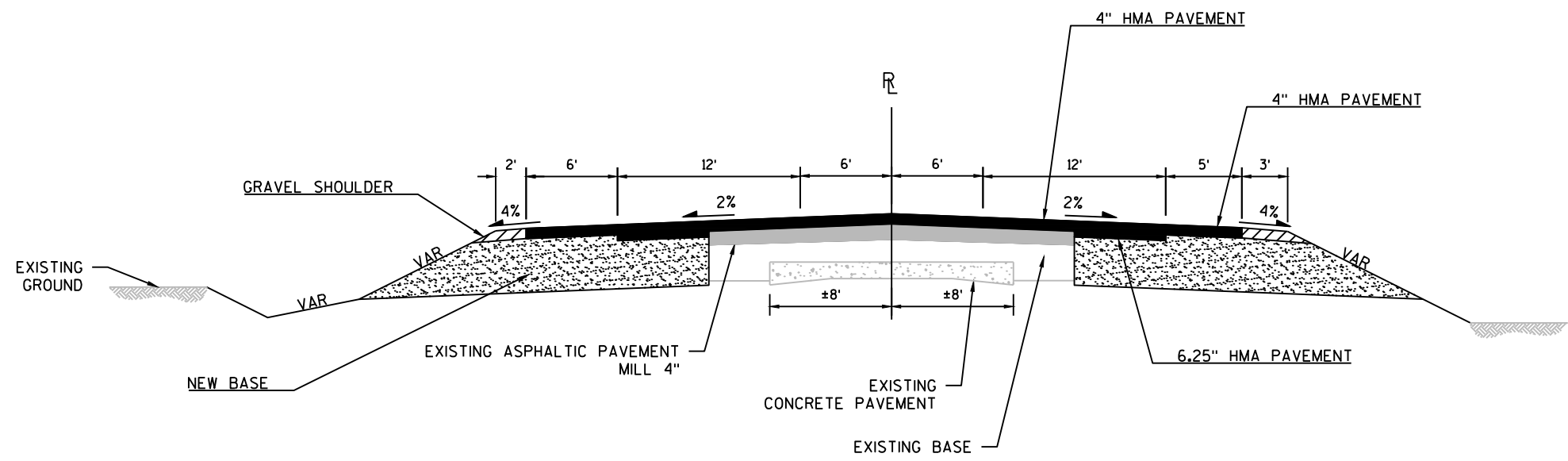
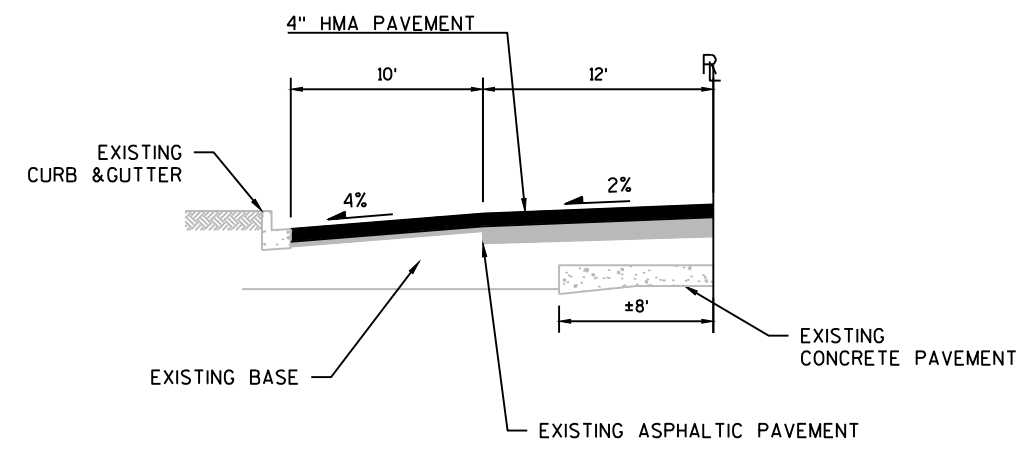


PROPOSED TYPICAL SECTION WIS 32  
WIS 29 TO COUNTY B

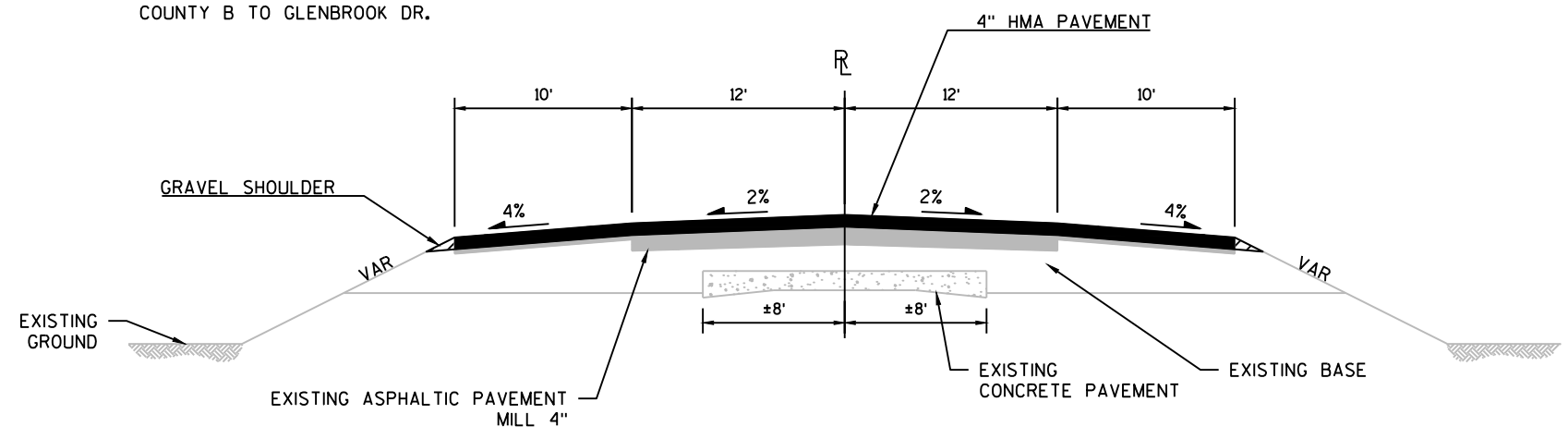
TYPICAL ROADWAY CROSS SECTION WIS 32  
IMPROVEMENT PROJECT  
PROJECT ID: 9190-23-00  
BROWN COUNTY



PROPOSED TYPICAL SECTION THRU LEFT TURN LANE WIDENING WIS 32  
COUNTY B TO GLENBROOK DR.



PROPOSED TYPICAL SECTION WIS 32  
KARCZ DR. TO E CEDAR ST. LEFT



PROPOSED TYPICAL SECTION WIS 32  
GLENBROOK DR. TO E GREEN BAY ST.

TYPICAL ROADWAY CROSS SECTIONS WIS 32  
IMPROVEMENT PROJECT  
PROJECT ID: 9190-20-00  
BROWN COUNTY